



Compressed air filtration

STERLING housings, elements and 3rd party replacements



STERLING compressed air filters

General description

STERLING filtration products have been specifically developed for the highly efficient removal of solid particles, water, oil aerosols and hydrocarbons from compressed air⁽¹⁾ systems.

To meet the required compressed air quality standard, an appropriate filter element (of type P,R,S or A) must be installed into the filter housing. See opposite page for element data.

Applications⁽²⁾

General Industrial, automotive, electronics, chemical, petrochemical, plastics, paint and many other general purpose compressed air filtration tasks

⁽¹⁾ For any other technical gases please contact **STERLING** or your local supplier

⁽²⁾ SELECT filter housings can be used in a variety of applications. For applications not listed, including special process filtration, please contact **STERLING** or your local supplier

Spares & accessories:

Manual condensate drain (model MCD) normally supplied with activated carbon cartridges

Internal float drain (AOK16B) standard scope of supply on filter cartridges

Electronic condensate drains - Optional timed / zero-loss / mechanical drains available on request

Pressure differential indicator (PDI) Optional pop-up to indicate pressure drop across element.

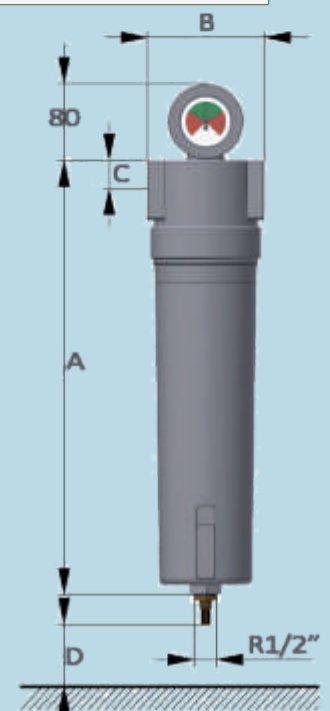


Filter housing rating according to ISO8573-1			
Operating temperature	1.5 - 65°C	35 - 149°F	
Operating pressure	0-16bar(g)	0-232 psi	
Materials			
Housing:	Aluminium	Anti-corrosion:	Anodised (optional - special order)
Fittings/screws:	Brass, Brass zinc-plated, Steel	Sealing:	NBR
Cover:	ABS	Lubricant:	Shell Cassida grease RLS2
External protection: Powder painted (epoxy - polyester base)			

16 bar aluminium housings INCLUDE filter element and reliable internal float drain.

Add suffix letter to specify grade as follows: P = 3.0µ; R = 1.0µ; S = 0.01µ; A = active carbon;

Housing number	Pipe size (inch)	Flow rate m3/min-cfm	Dimensions (mm)				Weight (kg)	Cartridge model #
			A	B	C	D		
CSH0035#	3/8"	1 / 35	187	88	20	60	0.7	CS0056#
CSH0050#	1/2"	1.3 / 50	187	88	20	60	0.7	CS0076#
CSH0075#	3/4"	2 / 75	257	88	20	80	0.8	CS0106#
CSH0120#	1"	3.3 / 120	263	125	32	100	1.8	CS0186#
CSH0200#	1"	5.6 / 200	363	125	32	120	2.5	CS0306#
CSH0300#	1 1/2"	8.5 / 300	461	125	32	140	2.5	CS0476#
CSH0460#	1 1/2"	13 / 460	640	125	32	160	3.2	CS0706#
CSH0600#	2"	16.7 / 600	684	163	43	520	5.1	CS0946#
CSH0900#	2"	25 / 900	935	163	43	770	7.1	CS1506#
CSH1000#	2 1/2"	28 / 1000	935	163	43	770	6.9	CS1506#
CSH1290#	3"	36 / 1290	795	240	59	630	12.9	CS2406#
CSH1640#	3"	46 / 1640	1000	240	59	780	14	CS6406#



Correction factors - filters and separators

Operating pressure (bar)	2	3	4	5	6	7	8	9	10	11	12	13	14	15	16
Operating pressure (psi)	29	44	58	72	87	100	115	130	145	160	174	189	203	218	232
Correction factor-SELECT filters	0.38	0.52	0.63	0.75	0.88	1	1.13	1.26	1.38	1.52	1.65	1.76	1.87	2	2.14
Correction factor-CKL separators	0.53	0.65	0.76	0.84	0.92	1	1.07	1.13	1.19	1.25	1.31	1.36	1.41	1.46	1.51

Replacement elements for STERLING housings

Quality at the forefront

Manufactured to the exacting standards demanded by international 'blue chip' industry names, **STERLING 'SELECT'** elements offer outstanding quality and performance.

Nominal performances listed below are at 16 bar / 20°C

Element #	Flow rate m3/min-cfm	To fit housing	Prefilter 3.0µ	Microfilter 1.0µ	Microfilter 0.01µ	Activated carbon
CS0056	1 / 35	CSH0035	CS0056P	CS0056R	CS0056S	CS0056A
CS0076	1.3 / 50	CSH0050	CS0076P	CS0076R	CS0076S	CS0076A
CS0106	2 / 75	CSH0075	CS0106P	CS0106R	CS0106S	CS0106A
CS0186	3.3 / 120	CSH0120	CS0186P	CS0186R	CS0186S	CS0186A
CS0306	5.6 / 200	CSH0200	CS0306P	CS0306R	CS0306S	CS0306A
CS0476	8.5 / 300	CSH0300	CS0476P	CS0476R	CS0476S	CS0476A
CS0706	13 / 460	CSH0460	CS0706P	CS0706R	CS0706S	CS0706A
CS0946	16.7 / 600	CSH0600	CS0946P	CS0946R	CS0946S	CS0946A
CS1506	25 / 900	CSH0900	CS1506P	CS1506R	CS1506S	CS1506A
CS1506	28 / 1000	CSH1000	CS1506P	CS1506R	CS1506S	CS1506A
CS2406	36 / 1290	CSH1290	CS2406P	CS2406R	CS2406S	CS2406A
CS6406	46 / 1640	CSH1640	CS6406P	CS6406R	CS6406S	CS6406A
			Grade 'P'	Grade 'R'	Grade 'S'	Grade 'A'
Solid particle removal: down to			3.0µ	1.0µ	0.01µ	0
Quality class: solids (ISO 8573-1)			3	2	1	-
Residual oil content (mg/m ³ / ppm)			-	-	0.01 / 0.01	0.005 / 0.005
Quality class - oils (ISO 8573-1)			-	-	1	1
Pressure drop - new element (mbar - psi)			40 / 0.58	<50 / 0.72	<120 / 1.74	<90 / 1.3
Change element at pressure drop (m/bar / psi)			600 / 8.7	600 / 8.7	600 / 8.7	*6 months
Material			Acrylic / cellulose	Acrylic / cellulose	Borosilicate microfibres	Active carbon
Operating temperature range °C			1.5C to 65C			
*Carbon elements should not operate in oil-saturated conditions and should be changed at least 6 monthly						



CKL cyclone separators - 16 bar

Efficient removal of condensate

These high efficiency separators will remove condensed water droplets and entrained oil, yet introduce only a very small pressure drop. Fitted downstream of aftercoolers, air receivers and refrigerant dryers they provide added protection for filters, minimising pressure drop and extending the life of filter elements.

With a high quality powder coated corrosion-resistant aluminium separator body and non-clogging cyclone cartridge, your investment is protected.

STERLING CKL-B series separators are supplied complete with cartridge and highly reliable



Housing number	Pipe size (inch)	Flow rate m3/min / cfm	Dimensions (mm)				Weight (kg)	Cartridge model #
			A	B	C	D		
CKL005B	3/8"	2 / 70	187	88	21	60	0.7	CKL06050
CKL007B	1/2"	2.6 / 90	187	88	21	60	0.7	CKL07050
CKL010B	3/4"	3.9 / 140	257	88	21	80	0.8	CKL14050
CKL018B	1"	6.1 / 215	263	125	33	100	1.9	CKL12075
CKL047B	1 1/2"	13 / 450	452	125	33	140	2.8	CKL32075
CKL094B	2"	21 / 750	695	163	43	520	5.3	CKL51090
CKL150B	2 1/2"	41 / 1450	695	163	43	520	9.2	CKL76090
CKL200B	3"	47 / 1680	795	240	59	630	13.4	CKL51140

Elements to fit 3rd party filter housings

STERLING compressed air filter elements are designed to fit housings from a wide range of popular manufacturers and are built and tested to recognised industry standards, so providing a value-for-money replacement for manufacturers' originals.

The elements are well packaged in individual boxes and clearly labelled; in addition each item is 'pad printed' on the end cap with a permanently visible part number to avoid costly mistakes and ease re-ordering.

Manufactured by a top European OEM specialist, this is a top quality product from **STERLING**

Extensive stock. **STERLING** lists over 750 lines of 3rd party filter stock. Much of it is available off the shelf, but for the sake of economy we can't hold stock of some less popular lines & sizes. However, for those who plan their service schedules in advance we are ALWAYS happy to factory-order any item in advance.

Guidance on the brands for which we usually hold stock of popular sized replacements is given below.

Original brand	Stock status	Original brand	Stock status
ABAC	Stock	Hiross	Stock
Air Filter Engineering	Stock	HPC	Stock
Atlas Copco current	Stock	Ingersoll Rand pre 2005	Stock
Atlas Copco pre-2000	Stock	Kaeser (aluminium end caps)	Special order
BEKO Clearpoint	Special order	Mark / Ceccato	Stock
Boge pre 2013	Stock	MTA	Stock
Compair CE range	Stock	Omega (original OEM elements)	Stock
Compair Broomwade pre 1995	Stock	OMI	Stock
Compair Hydrovane pre 1995	Stock	Sullair	Stock
Compair current CF & X ranges	Stock	Ultrafilter / Donaldson 80 series	Special order
Domnick Hunter Evolution	Stock	Ultrafilter / Donaldson 90 series	Stock
Domnick hunter Oil-X and pre-1995	Stock	Walker Filtration (aluminium end caps)	Special order
Hankison (aluminium end caps)	Special order	Worthington Creyssensac	Stock
Hi-Line Industries	Stock	Zander	Stock



Your **STERLING** supplier: